

DATA SHEET

CONTINUOUS ELECTRIC FRYER

FEC60

Continuous fryer or fryer train ideal for high-volume production in a fully automated manner. This chain fryer is designed for pre-fried items, French fries, fried pre-cooked products such as croquettes, balls, flamenquines, nuggets, cachopo, San Jacobo... as well as pastry products in general such as churros, donuts, susos, buñuelos, roscos, pepitos, berlinas... nuts: peanuts, almonds, cashews... It can even be used for cooking pasta..



FEC60

TECHNICAL CHARACTERISTICS:

- It incorporates a speed controller that allows for the regulation of the cooking time of the product being prepared, ensuring that it always achieves the ideal and customized cooking for a wide range of products.
- It enables uniform frying or cooking, with reduced oil absorption at a lower cost due to oil reuse and filtration. This results in longer-lasting and higher-quality oil.
- Option to include an extraction hood in the fryer itself.
- Easy cleaning and disassembly.
- Oil filtering system with a recirculating pump towards a reservoir.
- Digital temperature control.
- Constructed with AISI304 stainless steel.
- Tank coated with special insulation to optimize temperature performance.
- Includes a pump for filling the tank.
- Resettable safety thermostat with indicator.
- Isolated and waterproof electrical panel located in the lower cabinet.
- Foldable heating elements to facilitate equipment cleaning and maintenance.
- 2" drain tap.
- Tensioners on conveyor chains.

MODEL: **FEC60**

DIMENSIONS: WIDTH 806 mm. / HEIGHT 1255 mm. / LONG 1350mm.

ELECTRICAL POWER: 16 KW.

CHAIN MOTOR POWER: 1,1 KW.

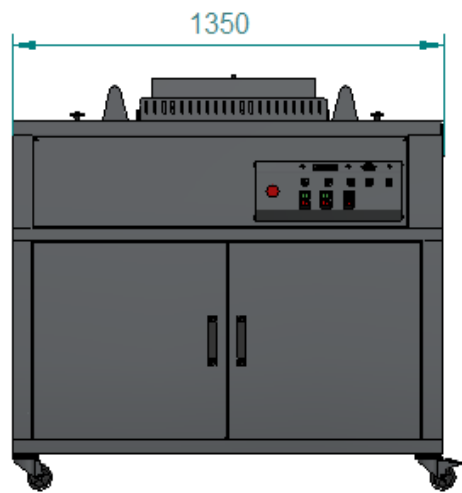
PUMP MOTOR POWER: 1 KW.

TOTAL POWER: 16 KW

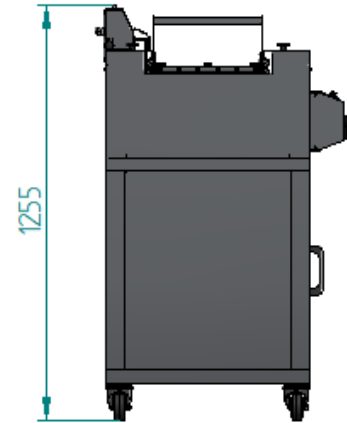
TENSION: 230/400V

PRODUCCION: 65/150 Kg/H.*

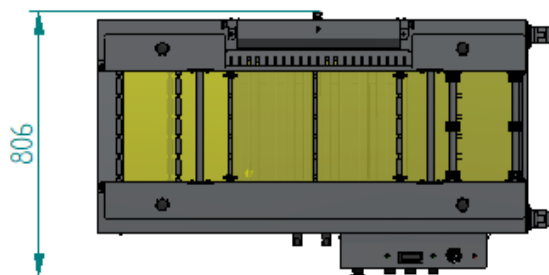
DIMENSIONS



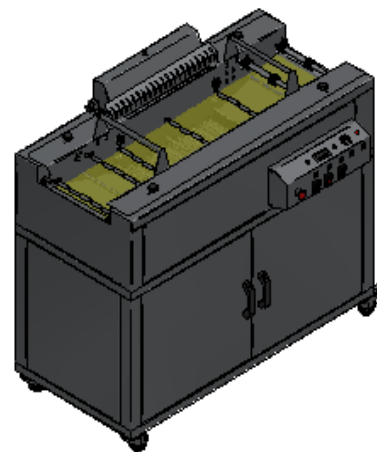
VISTA ALZADO



VISTA LATERAL



VISTA PLANTA



VISTA ISOMÉTRICA

APPROXIMATE WEIGHT: 346Kg.
ELECTRICAL CONNECION: 380/400v

The Company reserves the right to make technical modifications without notice.

www.inhospans.com

V1,0 - 2021/04/13

*Production rates can vary significantly depending on the temperature, the size of the pieces, or the type of food being fried.

